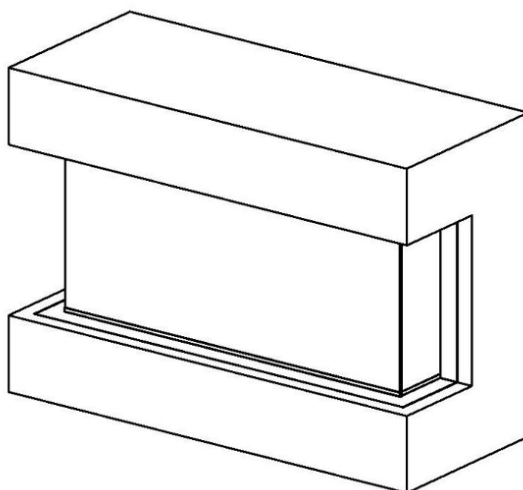


IMPORTANT INSTRUCTIONS & OPERATING MANUAL

STRESA ELECTRICAL FIREPLACES



⚠ WARNING

Read and understand this entire owner's manual, including **all safety information**, before **plugging in** or **using** this product. Failure to do so could result in **fire, electric shock, or serious personal injury**.

⚠ CAUTION

Keep this owner's manual for future reference. If you sell or give this product away, **make sure this manual accompanies this product**.

NO VENTING REQUIRED
230V AC; 50 Hz; 1520 Watts

IMPORTANT: It is important to read these instructions carefully before using the appliance for the first time. Keep the instructions safe so that you can refer to them later if necessary.

IMPORTANT INSTRUCTIONS

When using electrical appliances basic precautions should always be followed to reduce the risk of fire, electric shock and injury to persons, including the following:

- 1) Read all instructions before using this appliance.
- 2) This appliance is hot when in use. To avoid burning, do not touch hot surface. If provided, use handles when moving this heater. Keep combustible materials, such as furniture, pillows, bedding, papers, clothes, and curtains at least 1 m from the front of the appliance and keep them away from the sides and rear. In order to avoid overheating, do not cover the heater.
- 3) Extreme caution is necessary when any appliance is used near children or the infirm and whenever the heater is left operating and unattended.
- 4) Always unplug appliance when not in use.
- 5) Do not operate any appliance with a damaged cord or plug or after the appliance malfunctions, has been dropped or damaged in any manner, return appliance to authorized service facility for examination, electrical or mechanical adjustment, or repair.
- 6) This appliance is designed for indoor use only. No direct contact with water allowed.
- 7) This appliance is not intended for use in high humidity areas such as bathrooms, sauna's, laundry areas and similar locations. Never locate appliance where it may fall into a bathtub or other water container.
- 8) Do not run cord under carpeting. Do not cover cord with throw rugs, runners, or similar coverings. Arrange cord away from traffic area and where it will not be tipped over.
- 9) To disconnect appliance, turn controls to OFF, then remove plug from outlet.
- 10) Do not inset or allow foreign objects to enter any ventilation or exhaust opening as this may cause an electric shock, fire or damage the heater.
- 11) To prevent a possible fire, do not block air intakes or exhaust in any manner. Do not use on soft surfaces, like a bed, carpet etc., where openings may become blocked.
- 12) A heater has hot and arcing or sparking parts inside. Do not use it in areas where gasoline, or flammable liquids are used or stored.
- 13) Use this appliance only as describes in this manual. Any other use not recommended by the manufacturer may cause fire, electric shock, or injury to persons.
- 14) **DANGER** High temperatures may be generated under certain abnormal conditions. Do not partially or fully cover or obstruct the front of this appliance.
- 15) Replacement of the lamps should be done only while the appliance is disconnected from the supply circuit.
- 16) This appliance is not intended for use by persons (including children) with reduced physical, sensory or capabilities, or lack of experience and knowledge, unless they have been given supervision or instruction concerning use of the appliance by a person responsible for their safety. Children should be supervised to ensure that they do not play with the appliance.
- 17) **CAUTION:** In order to avoid a hazard due to inadvertent resetting of the thermal cut-out, this appliance must not be supplied through an external switching device, such as a timer, or connected to a circuit that is regularly switched on and off by the utility.

UNPACKING AND TESTING APPLIANCE

Carefully remove the appliance from the box. Prior to installing the appliance, test to make sure the appliance operates properly by plugging the power supply cord into a conveniently located 230 Volt grounded outlet.


Grounding Appliance

This appliance is for use on 230 Volts. For connecting three-blade grounding type plugs to three -slot receptacles. The green grounding lug extending from the adapter must be connected to a permanent ground such as a properly grounded outlet box. The adapter should not be used if a three-slot grounded receptacle is available. To disconnect appliance, turn controls to OFF, then remove plug from outlet.

WARNING:

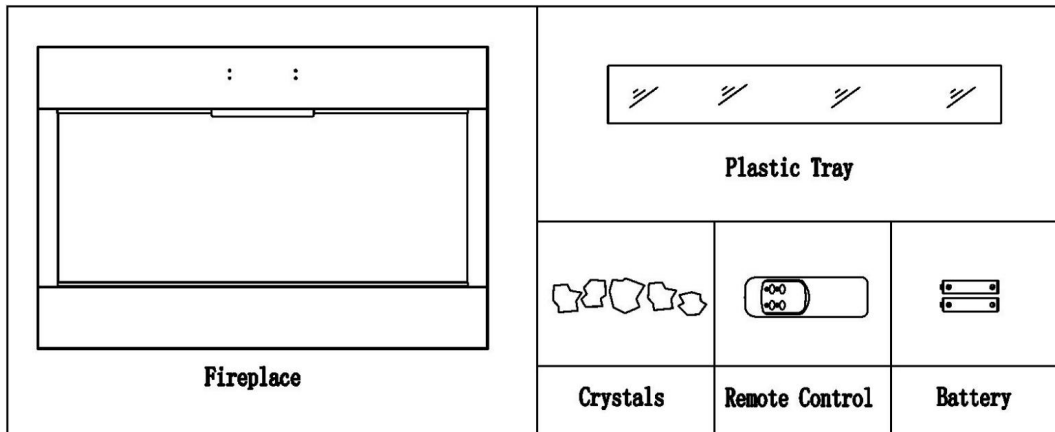
Keep the front of the appliance through which the heat is radiated at least 1 meter away from furniture, curtains and other flammable objects at all time. Never use an extension lead. The mains cable must remain at the back of the appliance and must not be in contact with any hot elements.

PREPARATION

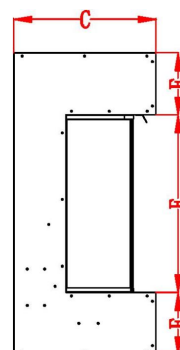
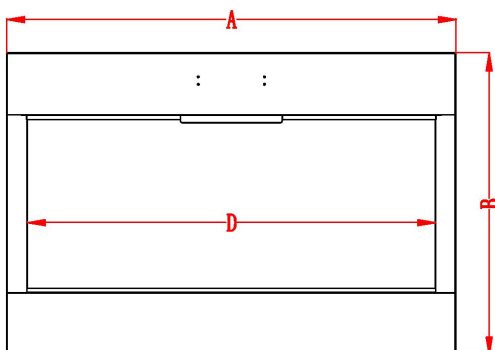
	This product includes a GLASS panel! Always use extreme caution when handling glass. Failure to do so could result in personal injury or property damage.
---	---

Remove all parts and hardware from the carton and place them on a clean, soft, dry surface. Parts and assembly steps are grouped for wall-hanging or recessing use. Check the parts list to make sure nothing is missing. Dispose of packaging materials properly. Please recycle whenever possible. You will need the following tools (not included): Phillips screwdriver; stud finder; level; tape measure; electric drill; 6mm wood drill bit, hammer.

Parts and Hardware



Specification and Dimension



PRODUCT DIMENSIONS						
Model Number	A	B	C	D	E	F
Stresa 100	39.9" 1014mm	26.8" 680mm	12.6" 320mm	36.3" 922mm	15.7" 400mm	5.5" 140mm
Stresa 130	53.9" 1370mm	26.8" 680mm	12.6" 320mm	50.3" 1278mm	15.7" 400mm	5.5" 140mm
Stresa 160	63.9" 1624mm	26.8" 680mm	12.6" 320mm	60.3" 1532mm	15.7" 400mm	5.5" 140mm

INSTALLATION AND ASSEMBLY

Your appliance is a wall-mounted, recessed and/or mantel installed appliance. Select a suitable location that is not susceptible to moisture and is away from drapes, furniture and high traffic areas. **NOTE: Follow all National and local electrical codes.**

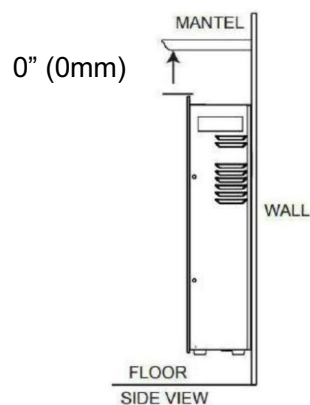
MINIMUM CLEARANCE TO COMBUSTIBLES

Measurements are taken from the glass front		
Bottom	0" (0mm)	Top 0" (0mm) to mantel
Sides	0" (0mm)	Top 0" (0mm) to ceiling
Back	0" (0mm)	

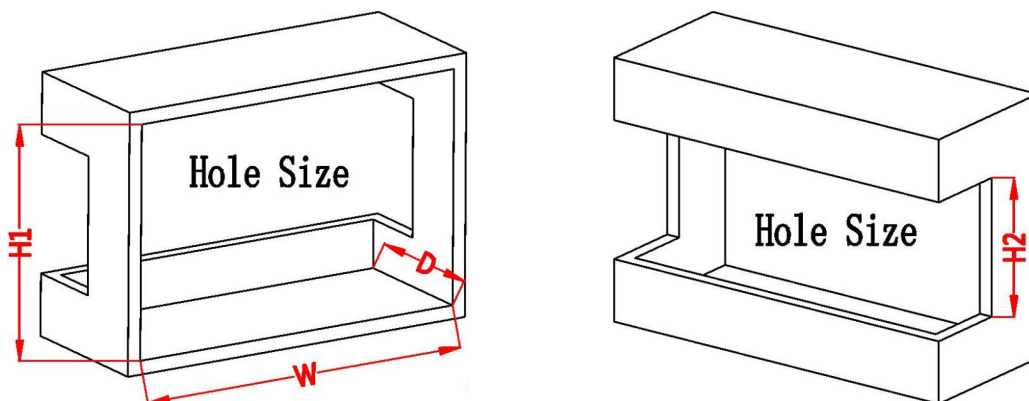
MINIMUM MANTEL CLEARANCES

WARNING

WHEN USING PAINT OR LACQUER TO FINISH THE MANTEL, THE PAINT OR LACQUER MUST BE HEAT RESISTANT TO PREVENT DISCOLOURATION.



RECESSED TO WALL INSTALLATION

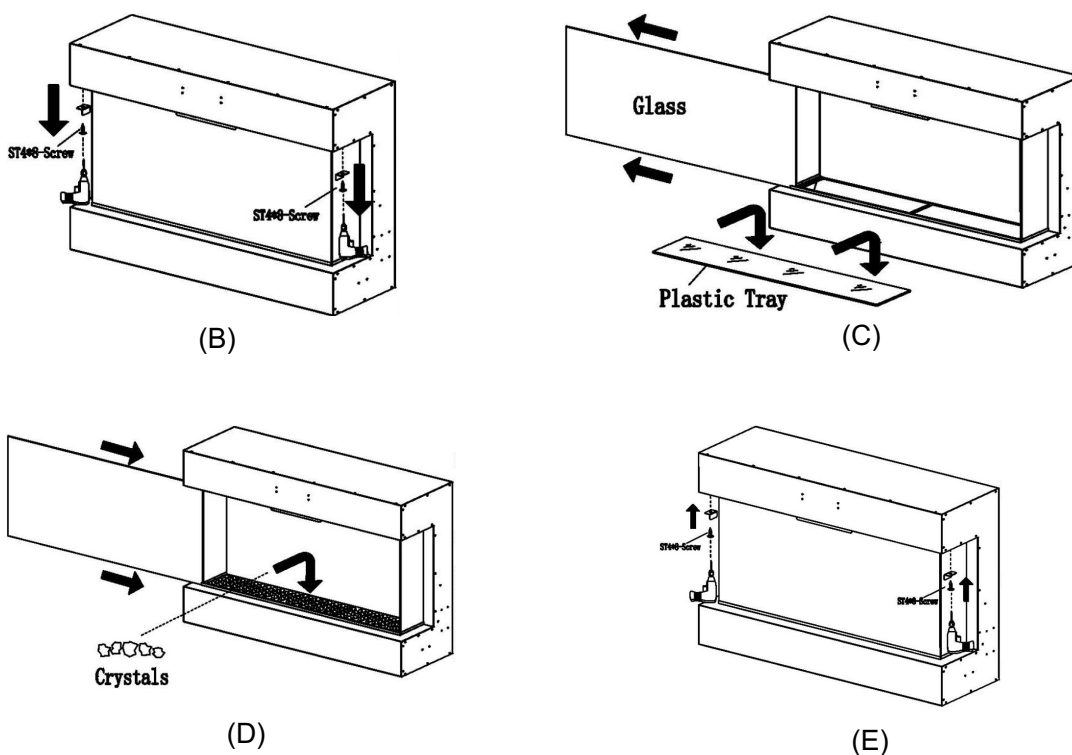


STEP A. Select a dry wall to open a hole for the fireplace box. Size of hole as below chart

Framing Hole Size				
Model Number	W	H1	H2	D
Stresa 100	39.9" 1020mm	26.9" 684mm	15.7" 400mm	>13.8" >350mm
Stresa 130	53.9" 1376mm	26.9" 684mm	15.7" 400mm	>13.8" >350mm
Stresa 160	63.9" 1630mm	26.9" 684mm	15.7" 400mm	>13.8" >350mm

STEP B. Using the screwdriver to take off the screws from the front Figure (B)

STEP C. Have two adult people to pull off the glass panel and take it out Figure (C)



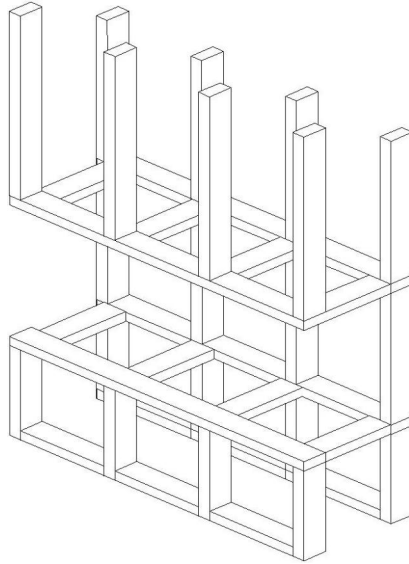
STEP D. Fix the metal brackets to the TOP of the fireplace box. Figure (D, E)

Installation

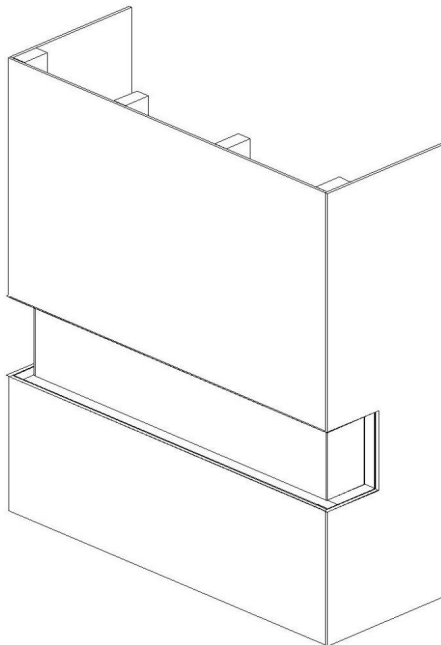
The three-sided fireplaces are designed to be built-in and allow for the finishing material (drywall, stone, tiles, etc.) to be built right down to the glass edge.

Note: Due to the many different materials used on different walls, it is highly recommended that you consult your local builder before you install this appliance.

Make an opening for the fireplace according to requested measurement.



Insert the fireplace into the wall opening. Plug in and check if the fireplace works.



Log-set / Crystal Ember Installation

(NOTE: Please make the installation according to the embers which you bought or selected.)

- A. Glass front must be removed and the appliance must be mounted in its final location before the log-set / crystal / embers are installed.
- B. If your fireplace come with a log-set (not standard), take the log-set out of the package and put it to the fireplace media slot. Figure1.
- C. To switch to Crystals, firstly take the Log-set out of the fireplace slot, then place the plastic tray (J) to the fireplace designed place. Then carefully place crystal embers into the plastic tray as illustrated. Apply an even layer from side to side. Figure 2, Figure 3.

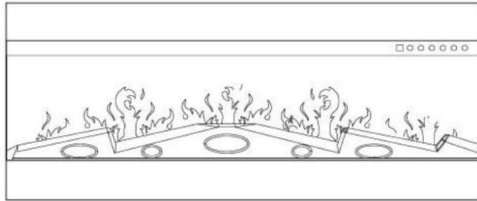


Figure 1

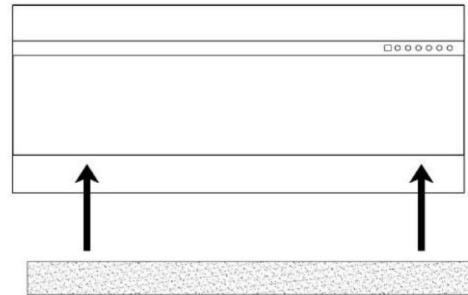



Figure 2



Figure 3

OPERATION

 WARNING	Read and understand this entire owner's manual, including all safety information , <u>before plugging in</u> or using this product. Failure to do so could result in fire, electric shock, or serious personal injury .
--	---

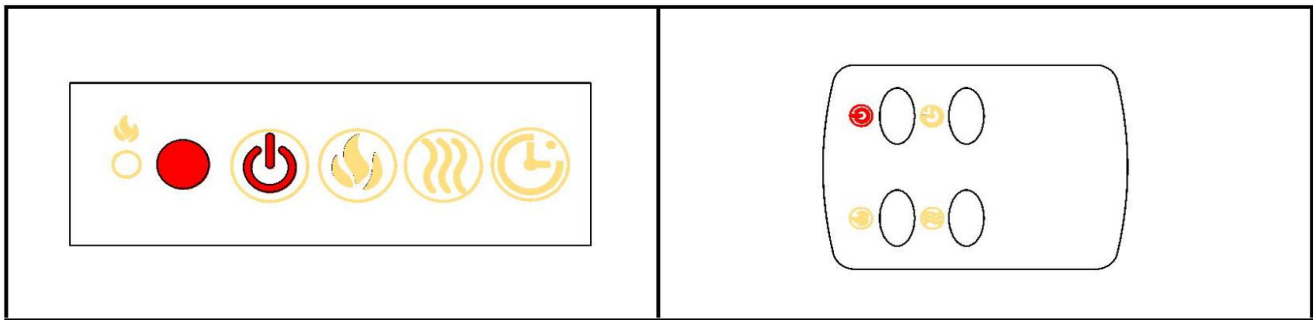
Power

Plug the power cord into a AC 220-240 Volt outlet (see IMPORTANT SAFETY INFORMATION on Pages 2 and 3). Make sure the outlet is in good condition and that the plug is not loose. NEVER exceed the maximum amperage for the circuit. DO NOT plug other appliances into the same circuit.





Methods of Operation

This electric fireplace can be operated by the CONTROL PANEL/TOUCH PANEL, or by the battery powered REMOTE CONTROL.

The operation and functions of the two methods are the same. Before operating, please review the IMPORTANT SAFETY INFORMATION on Pages 2 and 3 and heed all warnings.



Remote Control Operation

BUTTON	FUNCTION	ACTION & INDICATION
 POWER	ON: Enables control panel functions and remote control. Turns on flame effect. OFF: Disables control panel functions and remote control. Turns off flame effect.	1. Press once . Indicator light turns on. Power turns on. All functions enabled. 2. Press again . Flame effect turns off. Unit goes to standby. All functions turn off.
 TIMER	TIMER button: Controls timer settings to turn off fireplace at selected time. Settings range from 1 hours to 9 hours.	1. Press once . Indicator light turns on. Timer is set to 1 hours. 2. Press again until desired setting is reached . Indicator lights show setting.
 FLAME	FLAME button : Makes flame effect dimmer and brighter. NOTE: Flame effect stays on until power button is turned off. Flame effect must be on for fireplace to turn on.	1. Press once . Flame brightness effect gets changing. 2. Press again. until desired setting is reached.
 HEATER	HEATER button : Turns heater on and off. NOTE: The heater only works when the flame effect is on. If the flame effect is off, the heater will not turn on. NOTE: To prevent overheating, the heater blows cool air for 10 seconds	

NOTICE

When the heater is first turned on, a slight odor may be present. This is normal and should not occur again unless the heater is not used for a long period of time.

NOTICE

To improve operation, aim the remote control at the front of the fireplace. DO NOT press the buttons too quickly. Give the unit time to respond to each command.

Temperature Limiting Control

This heater is equipped with a Temperature Limiting Control. Should the heater reach an unsafe temperature, the heater will automatically turn OFF. To reset:

1. Unplug the power cord from the outlet.
2. Turn the ON/OFF switch on the CONTROL PANEL to OFF. Wait 5 minutes.
3. Inspect the fireplace to make sure no vents are blocked or clogged with dust or lint. If they are, use a vacuum to clean the vent areas.
4. With the POWER switch in the OFF position, plug the power cord back into the outlet.
5. If the problem continues, have your outlet and wiring inspected by a professional.

Remote Control Battery Information

This remote control uses 2 AAA batteries.



NEVER dispose of battery in fire. Failure to observe this precaution may result in an explosion. Dispose of batteries at your local hazardous material processing center.

CARE AND MAINTENANCE

Cleaning



ALWAYS turn the heater OFF and unplug the power cord from the outlet before cleaning, performing maintenance, or moving this fireplace. Failure to do so could result in electric shock, fire, or personal injury.



NEVER immerse in water or spray with water. Doing so could result in electric shock, fire, or personal injury.

Metal:

- Buff using a soft cloth, slightly dampened with a citrus oil-based product.
- DO NOT use brass polish or household cleaners as these products will damage the metal trim.

Glass:

- Use a good quality glass cleaner sprayed onto the cloth or towel. Dry thoroughly with a paper towel or lint-free cloth.
- NEVER use abrasive cleansers, liquid sprays, or any cleaner that could scratch the surface.

Vents:

- Use a vacuum or duster to remove dust and dirt from the heater and vent areas.

Plastic:

- Wipe gently with a slightly damp cloth and a mild solution of dish soap and warmwater.
- NEVER use abrasive cleansers, liquid sprays, or any cleaner that could scratch the surface.

Maintenance



Risk of electric shock! DO NOT OPEN any panels! No user-serviceable parts inside!

ALWAYS turn the heater OFF and unplug the power cord from the outlet before cleaning, performing maintenance or moving this fireplace. Failure to do so could result in electric shock, fire or personal injury!

Electrical and Moving Parts:

- The fan motors are lubricated at the factory and will not require lubrication.
- Electrical components are integrated in the fireplace and are not serviceable by the consumer.

Storage:

- Store heater in a clean dry place when not in use.



WARNING! NO SERVICING or internal or electrical parts should be performed by the consumer. Do not service the unit yourself.

TROUBLESHOOTING



DISCONNECT THE APPLIANCE COMPLETELY AND LET COOL PRIOR TO ANY SERVICE. ONLY QUALIFIED SERVICE PERSON SHOULD SERVICE AND REPAIR THIS ELECTRICAL APPLIANCE.

Problem	Possible cause	Solution
1. Fireplace turns off	Fireplace has overheated and safety device has caused thermal switch to disconnect or home circuit breaker has opened	Reset switch by turning main power switch off and waiting 10 minutes then turning it back on or reset circuit breaker.
2. Flame not moving	<ul style="list-style-type: none"> a. Loose wiring b. Flame motor defective c. Flame rod out of place 	<ul style="list-style-type: none"> a. Inspection for loose connections. b. Call a qualified service technician to replace the flame motor. c. Flame rod out of place due to rough transit/handling of the product This issue can be corrected as simple as removing the glass, flipping the fireplace upside down, removing a set of screws that are holding the bottom frame plate and placing the flame rod back in place.
3. Flame not visible	<ul style="list-style-type: none"> a. Loose wiring 	<ul style="list-style-type: none"> a. Disconnect from power source and Inspect the wiring for loose connections and repair or replace if necessary. b. Push the flame button to High.
4. Log set not glowing	<ul style="list-style-type: none"> a. Loose wiring 	<ul style="list-style-type: none"> a. Disconnect from power source and Inspect the wiring for loose connections and repair or replace if necessary. b. Push the ember button to High.
5. Remote control does	<ul style="list-style-type: none"> a. Low batteries b. Not aiming correctly c. Defective remote control and/or sensor 	<ul style="list-style-type: none"> a. Replace batteries in remote control b. Aim control at sensor located directly behind glass screen in center of unit just above logs. c. Replace remote control and/or sensor.
6. Fireplace will not come on when switch is flipped to ON	<ul style="list-style-type: none"> a. Fireplace is not plugged in to an electrical outlet b. Control failure c. Breaker tripped 	<ul style="list-style-type: none"> a. Check plug. b. Call a qualified service technician. c. Reset breaker.
7. Heater does not provide heat when turned on	<ul style="list-style-type: none"> a. Thermal switch has been tripped b. Wiring is loose c. Heater is defective 	<ul style="list-style-type: none"> a. Turn unit off and unplug unit for 10 minutes. Plug back in and turn unit on. If plug can't be reached, follow directions for circuit breaker. b. Disconnect from power source and Inspect the wiring for loose connections and repair or replace if necessary. c. Replace heater

CAUTION: To remove the glass, you will notice two screws on front both sides (right and left) of the fireplace. Once these screws are removed, slide the glass up and away from the fireplace. Once the bottom frame plate is removed, you will notice one flame motor on right side where the rod should be in place with the rubber plugs.

Please remember to always have the unit disconnected prior to any work, always lay glass as well as the unit on a towel or other material not to damage parts/frame.

This entire process should not take longer than 20-30 minutes.

LIMITED WARRANTY

This warrants to the original purchaser that this product is free from defects in material and workmanship as of the date of purchase and that it will, under normal use and proper care, remain so for one year from the date of purchase. Missing or initially defective parts will be replaced free of charge during the period of this limited warranty. If parts are unavailable, comparable replacement of refund will be given. **The original dated sales receipt is required for all warranty claims.** This warranty does not cover damage which has occurred during transport from the point of purchase to the consumer's home. This warranty does not cover glass, light bulbs, batteries, transportation, labor, or other issues not associated with the manufacture of the product.

This product is for residential use only. Any and all commercial use of this product voids all warranties, and frees the manufacturer from all liability.

Read and understand all assembly and operating instructions, and all safety information and warnings, before use. The following will void this warranty: Damage caused from tampering with, modifying, or altering the fireplace insert in any manner; Damage due to incorrect assembly, improper care, misuse, or abuse; Damage from being used with the wrong power source; Water damage; Damage caused from this insert being used outdoors; Damage caused from this insert being used for excessive periods of time; Damage caused by the insert being used in a commercial application; Damage from use as a primary heat source; Other misuse or abuse not specifically listed herein.

This product is not intended to be used as a primary heat source. It is for supplemental heating purposes only.

Model: Stresa-series

Power supply: 230V-50Hz

Power consumption: max. 1.520W

Protection class: I

Light bulb: LED

Thank you for purchasing this product! If you have questions about assembly or operation of this product, are parts missing or if the product is damaged please mail us at:

service@comfortableathome.nl

