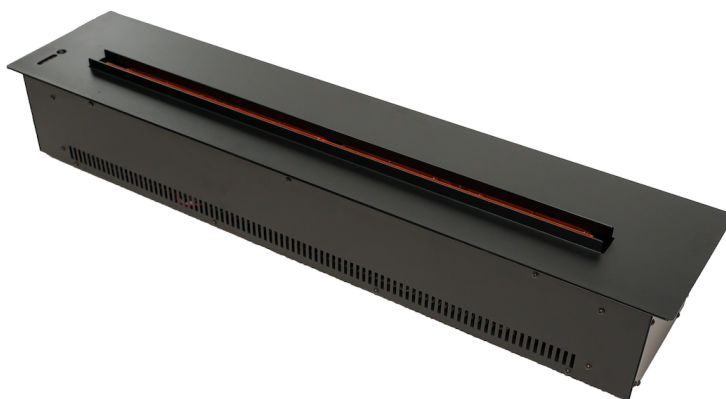




IMPORTANT INSTRUCTIONS & OPERATING MANUAL

BELLAGIO ELECTRICAL FIREPLACES WITH HUMIDIFICATION



CAUTION	Keep this owner's manual for future reference. If you sell or give this product away, make sure this manual accompanies this product.
WARNING	Read and understand this entire owner's manual, including all safety information, <u>before plugging in</u> or <u>using</u> this product. Failure to do so could result in fire, electric shock, or serious personal injury.

NO VENTING REQUIRED
230V AC; 50 Hz; 210- 840W



Thank you and congratulation on your purchase of our electric fireplace product.
 Please read the installation instructions before installing and operating this appliance.
IMPORTANT: Read all the instructions and warnings carefully before using. Failure to follow these instructions may result a possible electric shock, fire hazard and/or injury.
 If you are assembling this unit for someone else, give this manual to him or her to read and save for future reference.

QUICK REFERENCE GUIDE

READ ALL INSTRUCTIONS BEFORE USING THIS APPLIANCE

I. Please ensure the following points before installation:

1. The rated voltage and power supply of electric fireplace shall be the same.
2. The bulb of electric fireplace shall be in a good condition. Please refer to the section of Maintenance in the specification.

II. Add a small amount of non-toxic essence into water tank could help the good scent and comfort level for the room.

III. For detailed information, please refer to the section of operation in the specification

MODEL NO.	SPECIFICATION	
Bellagio water damp fireplaces	Rated Voltage	AC 230V, 50Hz
	Rated Power	Bellagio 66: 210W
		Bellagio 107: 420W
		Bellagio 150: 630W
	Bellagio 200: 840W	
	Power heating	N/A
	Specification of the bulb	Bellagio 66: 6x halogen 35W
		Bellagio 107: 12x halogen 35W
		Bellagio 150: 18x halogen 35W
		Bellagio 200: 14x halogen 35W
	Water tank capacity	Bellagio 66: 1x 1.6L
Bellagio 107: 2x 1.6L		
Bellagio 150: 3x 1.6L		
Bellagio 200: 4x 1.6L		
Working hours for full water tank	6 – 10 hours	

PLEASE KEEP THE SPECIFICATION FOR FURTHER REFERENCE

Definition to the Symbols

Reminder

Important operating instruction and technology may be helpful to users.

Note

Operating instructions shall be followed strictly; otherwise, it may cause property loss.

Warning

Operating instructions shall be followed strictly; otherwise, it may injure the users or cause disease or hazards.

IMPORTANT INSTRUCTIONS

Warning

Please read the following specifications carefully and observe them strictly to prevent fire accidents, electric shock and physical injury.

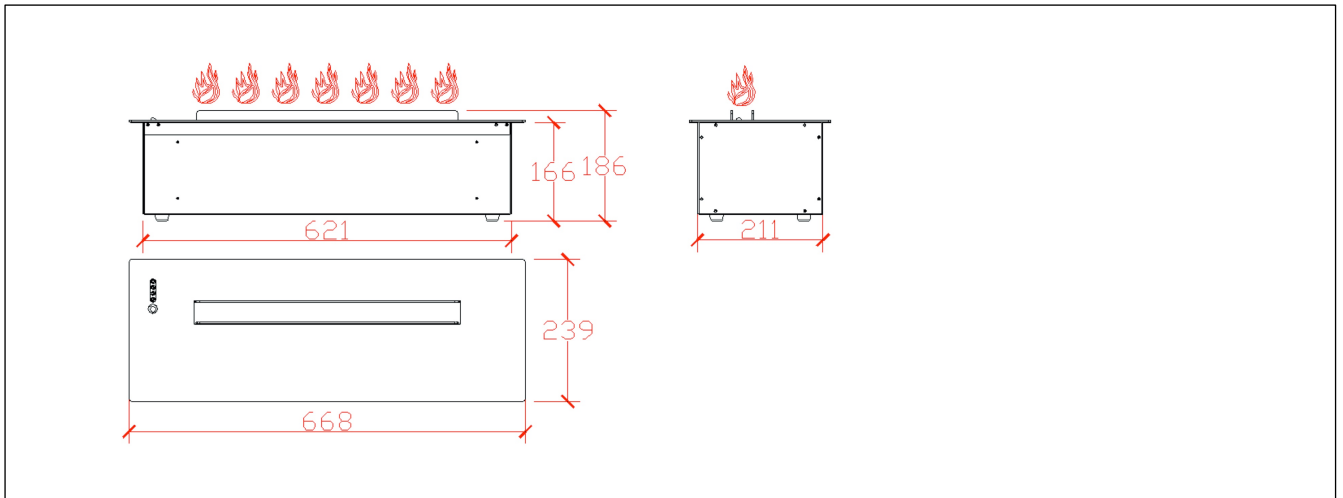
1. Please read the specifications carefully before using the product.
2. The electric fireplace is in high temperature when it is used. Please do not touch the high temperature surface such as the surface of heater's outlet and the bulb with nude skin to prevent scalding. As the hedge of heater's outlet is in high temperature when it runs, please keep the combustible materials such as clothes, bedclothes, furniture, paper and curtain 10cm away from it. Please do not cover or block the heater's outlet or other outlets at any time. Please do not use the fireplace on the soft surface because it may also block the outlet.
3. Keep electrical appliances out of reach from children or infirm persons. Do not let them use the appliances without supervision.
4. Do not install electric fireplace on the carpet directly or on any other surface that may interfere the bottom air from circulating.
5. Please pull out the power plug when it is not used.
6. When switching off the electric fireplace, please turn off all the switches and pull out the power plug from the socket.
7. It is prohibited to use the products outdoors.
8. The fireplace may not work in a wet environment such as in the bathroom or near the washing machine. Please keep the electric fireplace far from water containers.
9. Do not use the fireplace if the supply cord is damaged, it must be replaced by the manufacturer, its service agent or a similarly qualified person in order to avoid a hazard.
10. Do not lay wire under the carpet. Do not put the scatter rug, legs of furniture or other heavy objects on the wire. The wire shall be far from the areas of people's daily activities.
11. Pay attention not to allow the extraneous substances to enter into the outlet, for they may cause electric shock, fire accidents or damage the fireplace.
12. Do not block the outlet at any time to prevent fire accidents. Do not use the electric fireplace on a soft surface, for it may also block the outlet.
13. As all the electrical heaters contain high temperature, arc or sparks generating unit, please do not use the electric fireplace in those places which use or store gasoline, paint and other inflammable and explosive dangerous goods.
14. It is prohibited to alter the product. Please use the electric fireplace as per specification. Any other methods that are not recommended by the manufacturer may cause fire accidents, electric shock or physical injury.
15. Please avoid using expansion cable because they may be overheated and cause fire accidents. If you must use an expansion cable, please use a three-core expansion cable with load bearing capacity under 250V/16A and earth it reliably.
16. If the heating unit is overheated, the electric fireplace will produce noise (or blink) to give warning. In this case, please cut off the heating unit immediately and check whether the electric fireplace is near the objects that may cause overheat of the electric fireplace as listed in clause 2 and clause 12. Do not continue using the electric fireplace as it rings or blinks.
17. Do not burn wood or other materials inside the electric fireplace.
18. Do not strike the glass of fireplace.
19. The installation of circuit and socket shall be conducted by certificated electrician.
20. Please use the socket with excellent earth, fuse and earth electrode.
21. Please ensure the earth leakage protection is always connected as per electrical circuitry code.
22. Please pull out the power plug when cleaning, maintaining or remove the fireplace.
23. Please put the fireplace and wire in dry places when transporting or store them. Avoid strenuous vibration to prevent the damage of the fireplace.

PRODUCT APPEARANCE

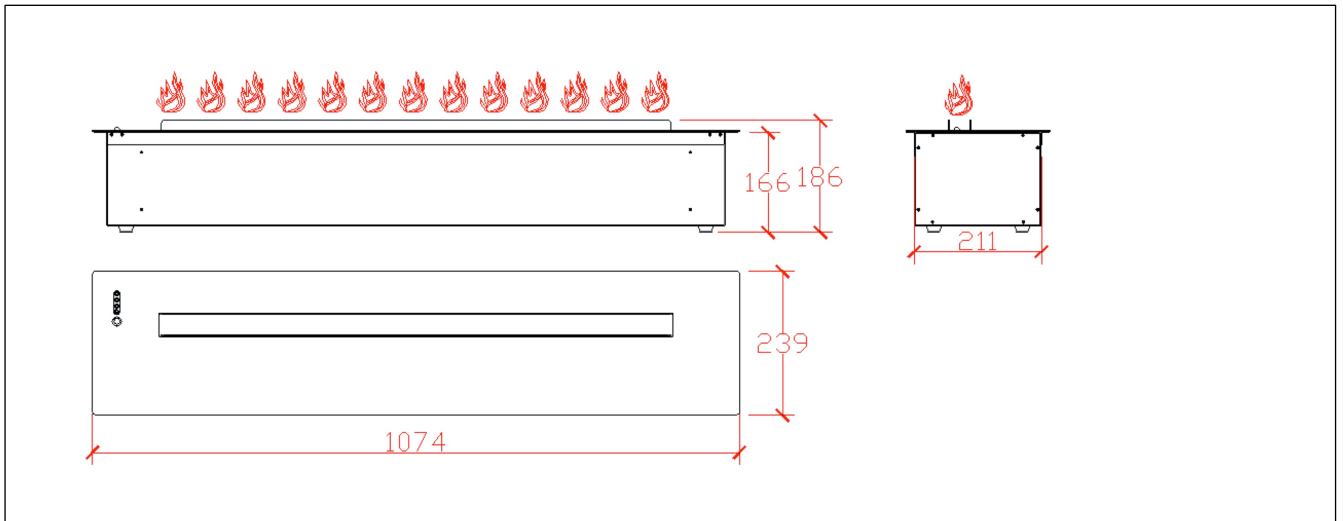


PRODUCT DIMENSIONS

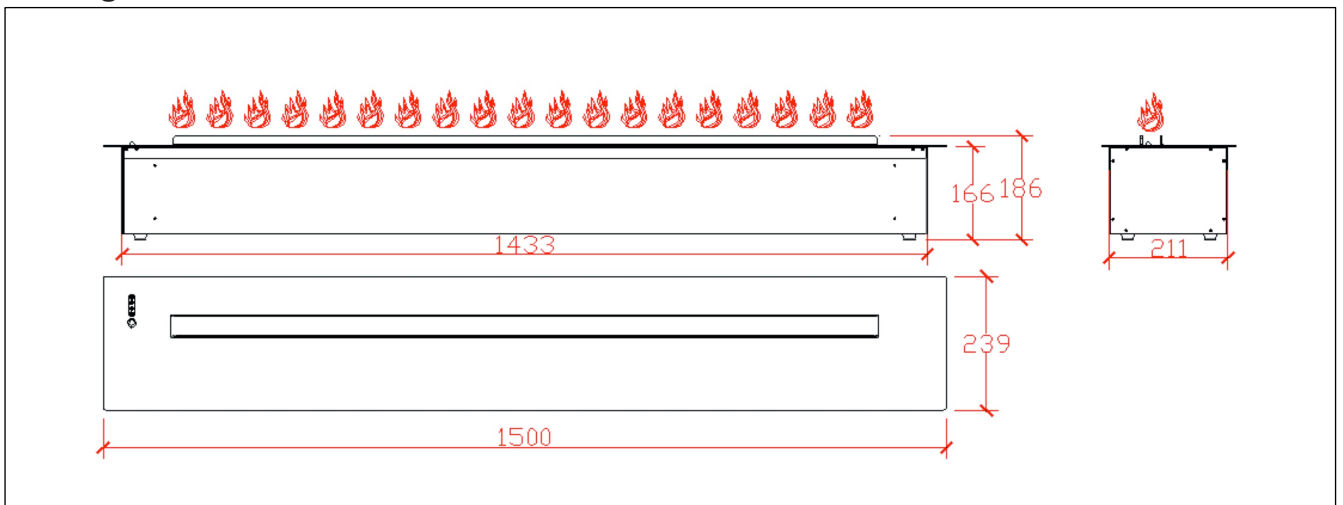
Bellagio 66



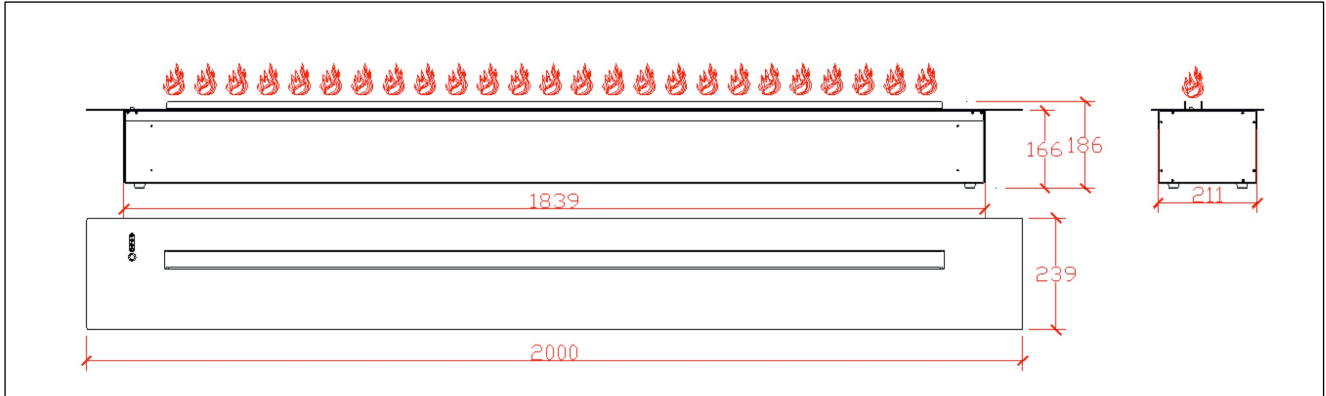
Bellagio 107



Bellagio 150



Bellagio 200



This section is the guidance for electric fireplace installation

Reminder 1

The dimensions of the fireplace insert should be left a clearance of 1.0cm at least around the product to ease installation.

Reminder 2

The electric fireplace does not need a funnel.

Warning

1. The power socket shall be AC230V/15A three-core socket with excellent earth, fuse and earth leakage protection.

2. Note:

Do not scrap the rubber feet off the fireplace or install the fireplace directly on the soft surface.

Otherwise, it may block the air circulation and cause fire accidents.

Install the electric fireplace in dry and safe places where it shall be free from dust, flammable articles.

Please ensure that objects such as curtains do not block the outlet.

Reminder

1. It is advisable to install the electric fireplace near the socket to simplify electric installation.

2. Place the electric fireplace on the selected position to find out whether it is satisfactory.

3. This electric fireplace is not allowed to install on the wall directly. Place it into a fireplace mantel or build an insertion construction in the desired location. The suggested dimensions to hold the fireplace is product width plus extra 1 cm, product depth plus extra 0.5cm and product height plus extra 30cm for flame display.

Note

When placing the fireplace or building the wall structure, please place the fireplace in dry, safe and clean places.

4. If there is no satisfactory socket near the selected position, please ask professional electrician to install the socket behind or near the frame as per requirement.

Warning

Do not install circuit or socket arbitrarily to prevent fire accidents, electric shock or physical injury.

Please ask professional electrician to install the circuit.

1. Turn off the switch on the fireplace (please refer to the section of Operation).

2. Insert the power plug into AC 230V/15A socket. The cable shall be laid along the wall.

3. Put the fireplace into the frame or the wall structure until it parallels with the panel or wall.

4. Finish the installation and the power plug should be accessible after installation.

MAINTENANCE

Warning

Before clean and repair the electric fireplace, please pull out the power plug to prevent fire accidents, electric shock or physical injury.

Refilling Water

1. When no mist show up, only with log set light on or hear the water shortage alarm, please refill the water tank timely. (It's acceptable to use a small amount of non-toxic fragrance for better scent.)
2. When water no longer cover atomization sheet, atomization stops in 3 seconds, no flame effect.
3. When atomizer stops, please turn all controls off, unplug the appliance, refill the water tank, plug back in and restart.

A. Take out the removable faux log set or top panel (the first half).



B. Take out the water tank.



C. Twist off the cap on water tank for refilling

Replace the Bulbs

If the areas of artificial flame or charcoal turn dark, please change the bulbs. There are 6 to 24 halogen bulbs (depends on the model you purchased) in the electric fireplace under the artificial charcoal or metal top panel, only required to change the problem bulb.

Note

The halogen bulb used in the fireplace is not regular type, please contact with the sales agent if bulb change required. (Halogen Amber bulb 230V 35W)

Warning

To prevent scalding, please wait until the bulb cools down after cutting off the power for more than 30 minutes.

I. Specification of Bulbs:

The rated voltage is AC 230V and the rated power is 35W.

II. How to change Bulb:

Take out the faux log set/top panel and water tank as the images shown on Refilling Water. Take off the problem light bulb, replace with new light bulb. Please make sure the light bulb is cool before replacement.



Atomizer Cleaning

1. To reach the best visual flame effect of electric fireplace, it's suggested to clean the water scale and stain on the atomization sheet at least every 2 to 4 weeks. (Atomization sheet is consumable part, after it works for 3000 hours the mist output volume will reduce not less than 30% comparing to the initial mist output volume.)
2. Take out the faux log set and water tank as the steps show on above images.
3. Take out the distributor as per the following image.



4. Take out the atomizer and unplug the connector

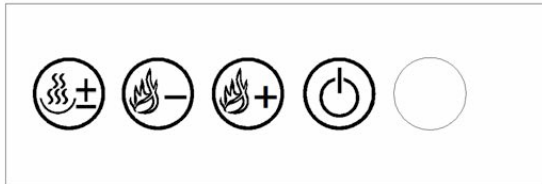


5. Add a small amount of water into atomizer, use the hairbrush to clean the dirt on atomizer head, pour the water after cleaning. (ATTENTION: The atomizer is not allowed to put directly into water for cleaning.)

REMOTE CONTROL SPECIFICATION

I. Control Panel & Remote Controller


Both control panel and remote controller include 3 control buttons.




A. When plug in the appliance, it comes with a “DEE” sound, this is to advise the power is connected, and the product goes into standby mode.

Control Buttons on Control Panel and Remote Controller:

 for ON/OFF

 for FLAME UP: Increase the flame volume (increase mist output)

 for FLAME DOWN: Decrease the flame volume (decrease mist output)

Note: The control panel includes 3 buttons and 1 infrared signal receiver, the signal receiver is to receive the signal sent by remote controller, please have the remote controller point against the receiver for remote operation.

B. Push the ON/OFF button to begin the flame effect. When it's “ON”, the power indicator will be lit up, and faux log set will also be lit up, after 10 seconds the flame will rise up after two sounds of “Dee Dee”.

Under following circumstances, the fireplace will be automatically shut down after two sounds of “Dee Dee”:

- I. Atomizer Box without water, not enough water (fogging piece do not cover by water completely) or incorrect placement of atomizer (mist generator).
- II. Atomizer (mist generator) is not connected properly/connecting wire damaged.
- III. Atomizer (mist generator) is damaged.

II. Note

When first use the remote controller, make sure the remote controller equipped with 2 AAA batteries, without battery or battery run out the remote controller will not work.

Please direct the remote controller at the electric fireplace at 1-5 meters distance, or the remote controller might not work properly. Please have the remote controller point against the infrared signal receiver for remote operation. Please do not cover or obstruct the signal receiver.

When hear two sounds of “Dee Dee” while pushing the Flame Up or Flame Down, that means the flame volume is either maximum or minimum.

If you could not see the flame after the product is “ON” for 10 seconds, please try to push the Flame Up button.

If you will leave the appliance in a long time, please unplug it.

FIREPLACE SURFACE CLEANING

Use a cloth dampened with warm water only to clean painted surface of electric fireplace. Do not use abrasive cleaners.

Service

Except bulb replacement, water refilling, atomizer cleaning and surface cleaning, all the other cleanings or modification please contact its service agent.

LIMITED WARRANTY

This warrants to the original purchaser that this product is free from defects in material and workmanship as of the date of purchase and that it will, under normal use and proper care, remain so for one year from date of purchase. Missing or initially defective parts will be replaced free of charge during the period of this limited warranty. If parts are unavailable, comparable replacement or refund will be given. **The original dated sales receipt is required for all warranty claims.** This warranty does not cover damage which has occurred during transport from the point of purchase to the consumer's home. This warranty does not cover glass, light bulbs, batteries, transportation, labor, or other issues not associated with the manufacture of the product.

This product is for residential use only. Any and all commercial use of this products voids all warranties, and frees the manufacture from all liability.

**CAUTION
RISK OF ELECTRIC SHOCK
DO NOT OPEN
NO USER SERVICEABLE PARTS INSIDE**

Model: Bellagio-series
Power supply: 230V-50Hz
Power consumption: 210 – 840W
(depending on the model chosen)
Protection class: I
Light bulb: Halogen Amber 35W

Thank you for purchasing this product! If you have questions about assembly or operation of this product, if parts are missing or if the product is damaged, please mail us at:

service@comfortableathome.nl

