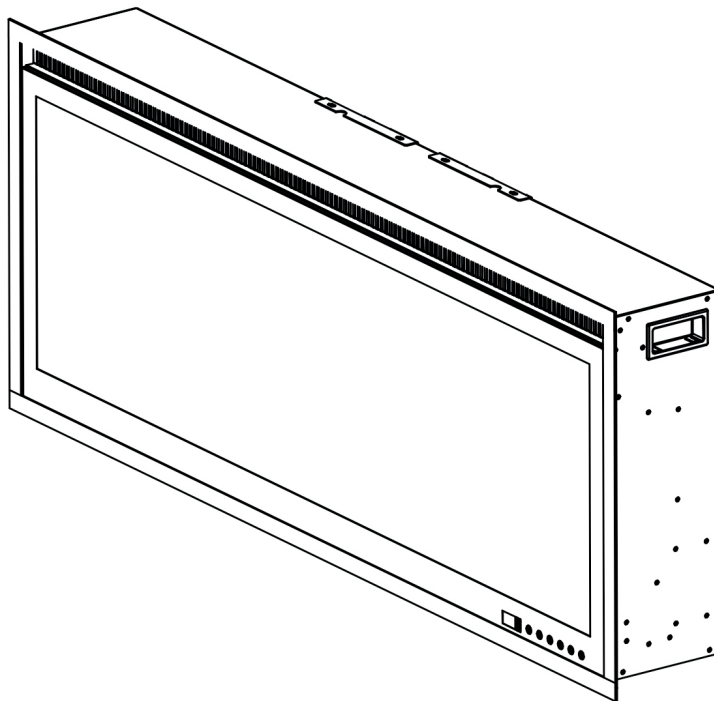


IMPORTANT INSTRUCTIONS & OPERATING MANUAL

GHIFFA / BIZ-SERIES ELECTRIC FIREPLACES



WARNING

Read and understand this entire owner's manual, including **all safety information, before plugging in** or using this product. Failure to do so could result in **fire, electric shock or serious personal injury.**



CAUTION

Keep this owner's manual for future reference. If you sell or give this product away, **make sure this manual accompanies this product.**

NO VENTING REQUIRED
220V AC; 50Hz; 1500Watts



IMPORTANT: It is important to read these instructions carefully before using the appliance for the first time. Keep the instructions safe so that you can refer to them later if necessary.

IMPORTANT INSTRUCTIONS

When using electrical appliances basic precautions should always be followed to reduce the risk of fire, electric shock and injury to persons, including the following:

1. Read all instructions before using this appliance.
2. This appliance is hot when in use. To avoid burning, do not touch hot surface. If provided, use handles when moving this heater. Keep combustible materials, such as furniture, pillows, bedding, papers, clothes, and curtains at least 1 m from the front of the appliance and keep them away from the sides and rear. To avoid overheating, do not cover the heater.
3. Extreme caution is necessary when any appliance is used near children or the infirm and whenever the heater is left operating and unattended.
4. Always unplug appliance when not in use.
5. Do not operate any appliance with a damaged cord or plug or after the appliance malfunctions, has been dropped or damaged in any manner, return appliance to authorized service facility for examination, electrical or mechanical adjustment, or repair.
6. This appliance is designed for well covered outdoor use, such as conservatories and gazebos (IP33). No direct contact with water allowed.
7. This appliance is not intended for use in high humidity areas such as bathrooms, sauna's, laundry areas and similar locations. Never locate appliance where it may fall into a bathtub or other water container.
8. Do not run cord under carpeting. Do not cover cord with throw rugs, runners, or similar coverings. Arrange cord away from traffic area and where it will not be tipped over.
9. To disconnect appliance, turn controls to OFF, then remove plug from outlet.
10. Do not inset or allow foreign objects to enter any ventilation or exhaust opening as this may cause an electric shock or fire or damage the heater.
11. To prevent a possible fire, do not block air intakes or exhaust in any manner. Do not use on soft surfaces, like a bed, carpet etc., where openings may become blocked.
12. A heater has hot and arcing or sparking parts inside. Do not use it in areas where gasoline, or flammable liquids are used or stored.
13. Use this appliance only as describes in this manual. Any other use not recommended by the manufacturer may cause fire, electric shock, or injury to persons.
14. DANGER-HIGH Temperatures may be generated under certain abnormal conditions. Do not partially or fully cover or obstruct the front of this appliance.
15. Replacement of the components should be done only while the appliance is disconnected from the supply circuit.
16. This appliance is not intended for use by persons (including children) with reduced physical, sensory or capabilities, or lack of experience and knowledge, unless they have been given supervision or instruction concerning use of the appliance by a person responsible for their safety. Children should be supervised to ensure that they do not play with the appliance.
17. CAUTION: To avoid a hazard due to inadvertent resetting of the thermal cut-out, this appliance must not be supplied through an external switching device, such as a timer, or connected to a circuit that is regularly switched on and off by the utility.

UNPACKING AND TESTING APPLIANCE

Carefully remove the appliance from the box. Prior to installing the appliance, test to make sure the appliance operates properly by plugging the power supply cord into a conveniently located 230 Volt grounded outlet.

GROUNDING APPLIANCE

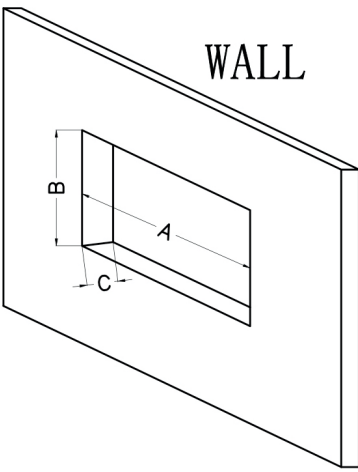
This appliance is for use on 230 Volts. For connecting three-blade grounding type plugs to three-slot receptacles. The green grounding lug extending from the adapter must be connected to a permanent ground such as a properly grounded outlet box. An adapter should not be used if a three-slot grounded receptacle is available. To disconnect appliance, turn controls to OFF, then remove plug from outlet.

WARNING

Keep the front of the appliance through which the heat is radiated at least 1 meter away from furniture, curtains and other flammable objects at all times. Never use an extension lead. The mains cable must remain at the back of the appliance and must not be in contact with any hot elements.

INSTALLATION

WARNING: Find a safe location and build a suitable hole for fireplace. Minimum clearance from the ceiling and the mantel must be at least 8200mm; minimum clearance from the front must be at least 900mm. Choose a location near an outlet so an extension cord is not required.



Unit:mm

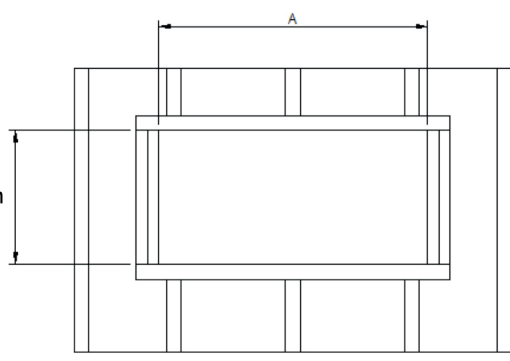
| Model | A (Width) | B (Height) | C (Depth) |
|--------|-----------|------------|-----------|
| B42Z | 1038.6 | 410 | 175 |
| BI50Z | 1241.6 | 410 | 175 |
| BI60Z | 1495.6 | 410 | 175 |
| BI74Z | 1851.6 | 410 | 175 |
| BI88Z | 2206.6 | 410 | 175 |
| BI100Z | 2511.6 | 410 | 175 |

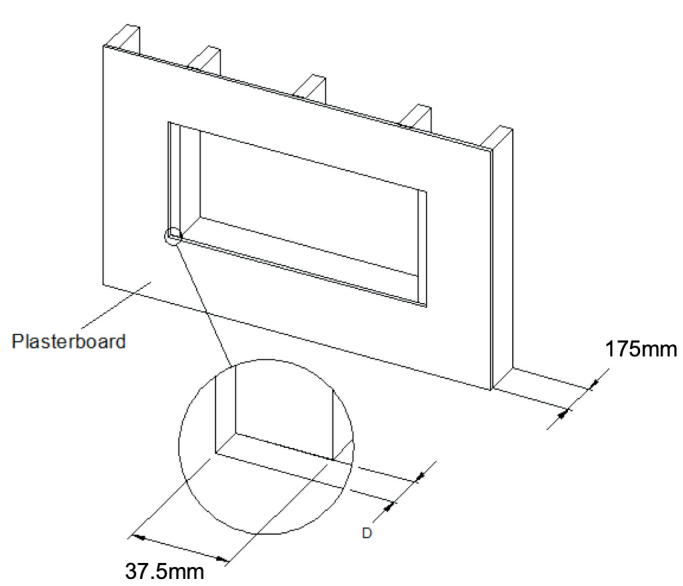
Unit:mm

| Model | A (Width) | B (Height) | C (Depth) |
|-------|-----------|------------|-----------|
| BI36Z | 886.60 | 410 | 175 |
| BI48Z | 1190.6 | 410 | 175 |

Take model BI50Z as an example. Prepare a wall with a fixed frame opening of 1241.6mm wide X 410mm high. Make sure the width of the wood block on both sides which used to fix the fireplace is 76mm. Make sure that the revealed wood block width on both sides is about 37.5mm after finishing the plasterboard. Measure the depth D from the plasterboard surface to the wood block and write down.

| MODEL | BI36Z | BI42Z | BI48Z | BI50Z | BI60Z | BI74Z | BI88Z | BI100Z |
|-------|-----------|------------|------------|------------|------------|------------|------------|------------|
| A | (886.6mm) | (1038.6mm) | (1190.6mm) | (1241.6mm) | (1495.6mm) | (1851.6mm) | (2206.6mm) | (2511.6mm) |

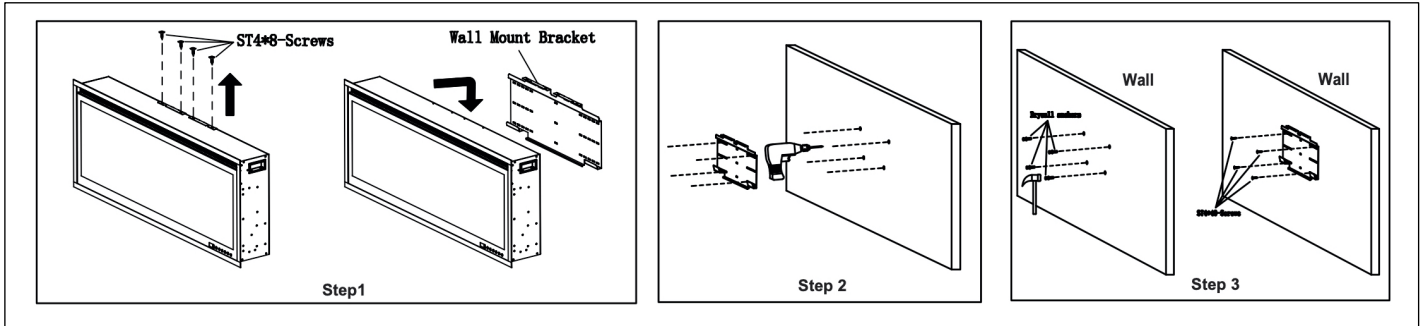




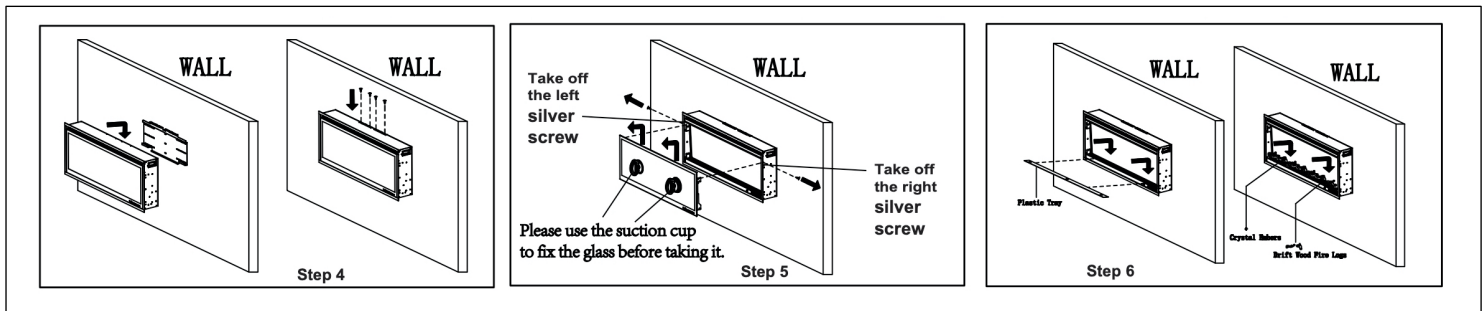
Before installing the in-wall fireplace, please read the following steps carefully.

WALL MOUNTED FIREPLACE STYLE

Remove the four silvered coloured screws on the top and take off the wall bracket (See step 1). Use the screwdriver to drill the wall (See step 2). Use a hammer to put the plugs into the wall, fix the wall bracket with screws to the wall (step 3).

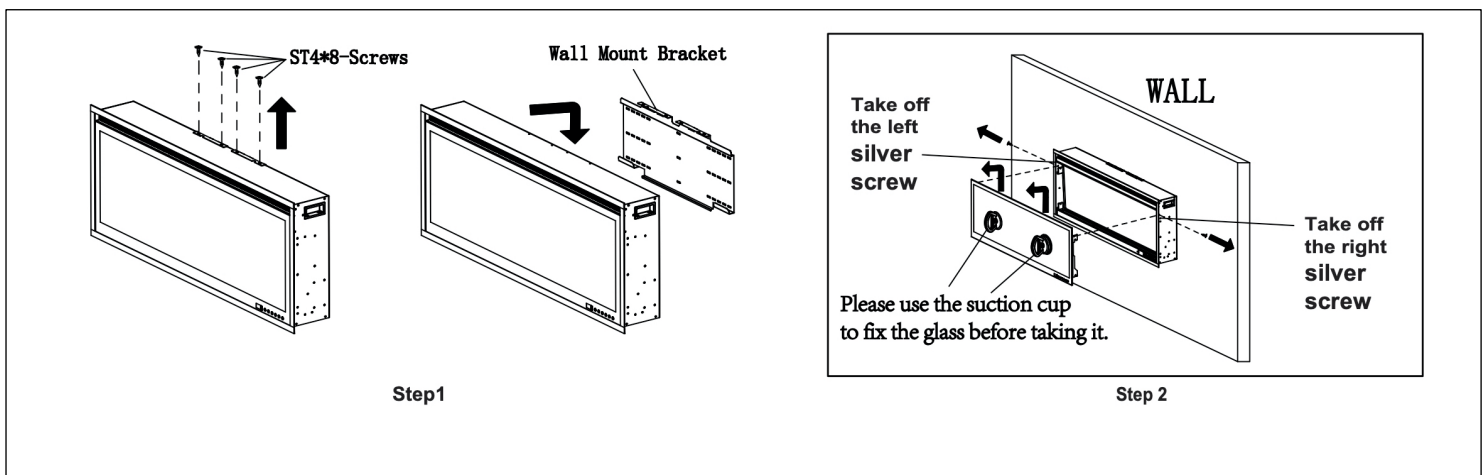


1. Lift the fireplace and put it onto the bracket, then lock the 4 silvered screws on the top (step 4).
2. Take off the 2 silvered screws on the left and right side. Use a suction cup to hold the glass surface. First take out the glass upwards and then outwards and find a place to put the glass (step 5).
3. Put in the plastic tray, spread the crystals over the tray and put in the driftwood fire logs (step 6), then lift the glass panel onto the fireplace and secure by replacing the 2 silvered screws on the sides.

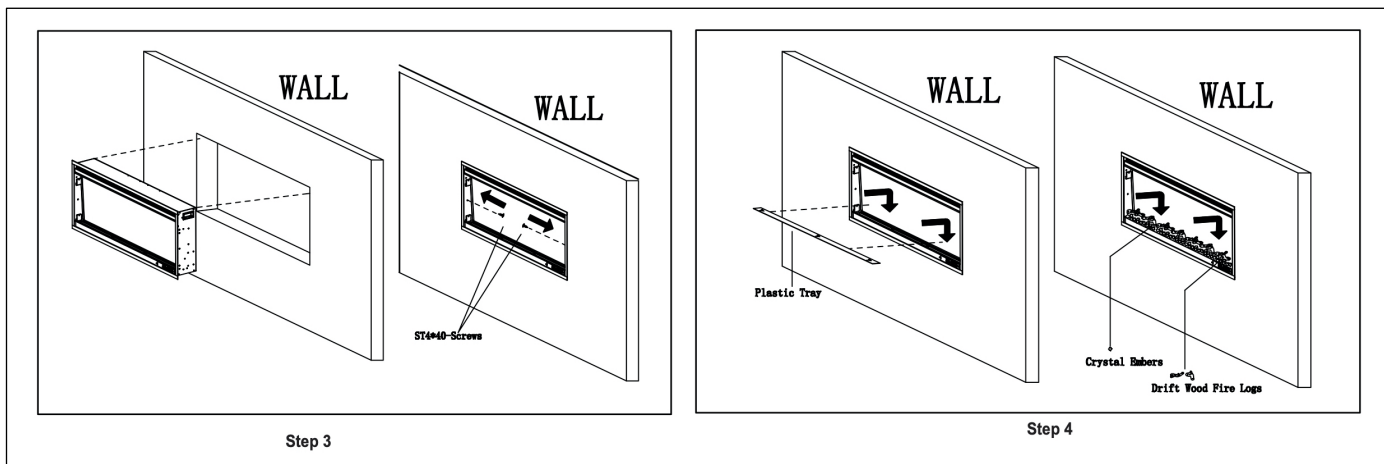


RECESSED FIREPLACE STYLE

1. Remove the four silvered coloured screws on the top and take off the wall bracket (step 1).
2. Take off the 2 silvered screws on the left and right side. Use a suction cup to hold the glass panel. To remove the glass panel move it upwards and then outwards. Find a place to put the glass panel (step 2).



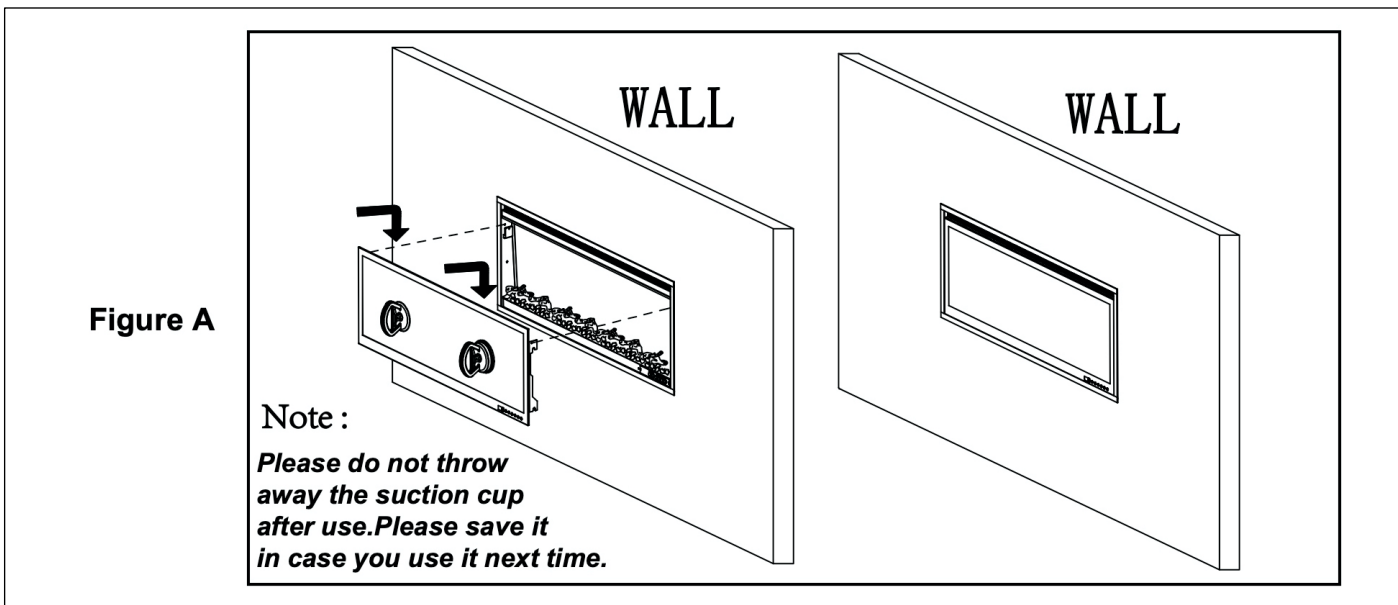
- Put the fireplace into the gap created. Fix the 2 silvered screws from the inside of the fireplace, as on the picture below (step 3).
- Put in the plastic tray, spread the crystals over the tray and put in the driftwood fire logs (step 4).



| | |
|---|--|
|  <p>WARNING</p> | <p>This carton includes GLASS! ALWAYS use extreme caution when handling glass. Failure to do so could result in personal injury or property damage.</p> |
|---|--|

| | |
|--|---|
|  <p>WARNING</p> | <p>ALWAYS unplug this fireplace before assembly or cleaning or before relocating. Failure to do so could result in electric shock, fire or personal injury.</p> |
|--|---|

- Install the glass in the direction of the arrows. Carefully set both hooks of the glass panel onto the firebox. **Note:** Make sure that the glass panel is fully attached to the firebox so that the touch control panel will work properly.
- Once in position remove the suction cups from the glass.



Note: The manufacturer recommends that two adults install the glass panel. Always use extreme caution when handling glass, Failure to do so could result in personal injury or property damage!

OPERATION



WARNING

Read and understand this entire owner's manual, including **all safety information, before plugging in** or using this product. Failure to do so could result in **fire, electric shock or serious personal injury**.

POWER

Plug the power cord into a 220-240 Volt 15 Amp outlet. Make sure the outlet is in good condition and that the plug is not loose. NEVER exceed the maximum amperage for the circuit. DO NOT plug other appliances into the same circuit.

TEMPERATURE LIMITING CONTROL

This heater is equipped with a Temperature Limiting Control. Should the heater reach an unsafe temperature (212°F / 100°C), the heater will automatically turn OFF. To reset:

1. Unplug the power cord from the outlet.
2. Turn the ON/OFF switch on the Control Panel to OFF. **Wait at least 5 minutes.**
3. Inspect the fireplace to make sure no vents are blocked or clogged with dust or lint. If these are, use a vacuum cleaner to clean the vent areas.
4. With the POWER switch in the OFF position, plug the cord back into the outlet.
5. If it switches off again. **UNPLUG THE HEATER RIGHT AWAY!** Have the outlets, wiring and breaker box inspected by a professional. Make necessary repairs before using the heater.

HEATER RATING

Maximum output: 1500W (5120BTU); Maximum heating area: 38m² (400 square feet)

SPECIAL CHARACTERISTICS OF THIS FIREPLACE

1. The smouldering glow of the flames can hardly be distinguished from that of a real fireplace
2. Produces the effect of a hot current of air.
3. Automatic and constant temperature control.
4. Appliance can be both used as Build-in the wall.
5. Appliance exchanged freely from LOG and Glass Media.
6. Perfect for small to mid-sized rooms.
7. Timer (1hrs to 9hrs).
8. Operated with Touch panel on fireplace, Remote control and App control.
9. Flame effect from orange, blue and purple.
10. Top light effect from orange, blue and purple.

SAFETY INSTRUCTIONS

- Only use the appliance in accordance with the instructions in this manual! It cannot be used for any other purpose.
- Never operate the appliance when the appliance itself or the main cable show any signs of damage. To avoid overheating, do not cover the heater.
- Be responsible when handling the packing material. Warning: plastic wrapping may be lethal to children. Do not place the appliance next to a socket.
- Never operate the appliance on a program switch, timer switch or any other appliance for

automatic operation.

- This appliance is designed for well covered outdoor use (IP44). No direct contact with water allowed.
- Never operate the appliance in high humidity areas such as bathrooms, sauna's, laundry areas and similar indoor locations. Never locate the appliance where it may fall into a bathtub or other water container.
- The appliance must not be located immediately below a socket-outlet
- If the supply cord is damaged, it must be replaced by the manufacturer or its service agent or a similarly qualified person to avoid a hazard.
- Never leave small children unattended near the appliance. In case of malfunction, disconnect the plug immediately.
- When not in use for a considerable period, unplug the appliance.
- Components should only be serviced by an approved electro technician.

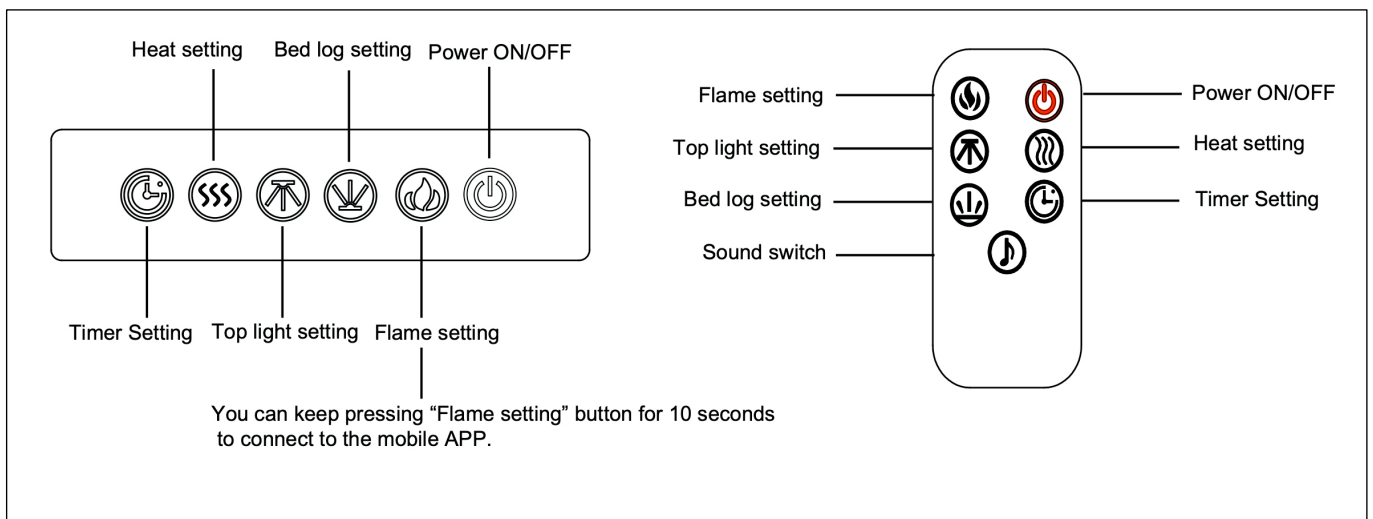
TO SWITCH ON

Plug in the appliance into the socket. Turn ON the Power switch.

The control Touch panel is on the bottom of the fireplace (see picture below)











INSTRUCTIONS FOR TOUCH PANEL AND REMOTE-CONTROL



TOUCH PANEL AND REMOTE-CONTROL OPERATION

The display showing the settings of the controls is shown by LEDs on the right bottom of the appliance left of the touch panel. And will show only after change of setting(s).

| | | |
|------------------|---|--|
| POWER |  | Turns the appliance ON/OFF |
| FLAME |  | Controls flame change: 13 colours: (L01, L02,.....L12,L13) |
| BED LOG |  | Controls bed log colours: 13 colours: (C1, C2,.....C12, C13) |
| TOP LIGHT |  | Controls top light 3 colours: F0 = off, F1=yellow, F2=blue, F3=purple |
| HEATER |  | Controls heat (OFF) no heater or blower (LO) heater blows warm air (heating: 750W) (HI) heater blows hot air (heating 1.500W) Note: heater functions cycle from OFF-LO-HI |
| SOUND |  | Turns the sound ON/OFF |
| CONTROL WITH APP |  | You can operate the BIZ series with a smartphone. Download the Tuya app in the app store and create an account to use all functions. To enter pairing mode, press the FLAME button on the fireplace for 10 seconds until the sign “CCC” shows up in the display. The fireplace is then ready to pair, follow the instructions in the app. |
| TIMER |  | Set the timer 9 settings: 1h, 2h,.....8h, 9h. Press button until reach desired setting. |

WARNING: Do not move or remove the mesh trim panel when the appliance is plugged in and operating. This will cause malfunction to the touch panel and remote control.

| | |
|---------------|---|
| NOTICE | When the heater is first turned on, a slight odour may be present. This is normal and should not occur again unless the heater is not used for a longer period. |
|---------------|---|

| | |
|---------------|--|
| NOTICE | To improve operation, aim the remote control to the front of the fireplace. DO NOT press the buttons too quickly. Give the unit time to respond. |
|---------------|--|

REMOTE-CONTROL BATTERY INFORMATION

- This remote control uses two AAA batteries (not included).
- Instructions for battery installation are on the Remote-Control battery compartment.

| | |
|---------------|---|
| NOTICE | NEVER dispose of batteries in fire. Failure to observe this precaution may result in an explosion. Dispose of batteries at your local hazardous material processing centre. |
|---------------|---|

CARE AND MAINTENANCE

CLEANING



ALWAYS turn the heater OFF and unplug the power cord from the outlet before cleaning, performing maintenance or moving this fireplace. Failure to do so could result in electric shock, fire or personal injury.

NEVER immerse in water or spray with water. Doing so could result in electric shock, fire or personal injury.

Metal

- Buff using a soft cloth, slightly dampened with a citrus oil-based product.
- DO NOT use brass polish or household cleaners as these products will damage the metal trim.

Glass

- Use a good quality glass cleaner sprayed onto the cloth or towel. Dry thoroughly with a paper towel or lint-free cloth.
- NEVER use abrasive cleaners, liquid sprays or any cleaner that could scratch the surface.

Vents

- Use a vacuum cleaner or duster to remove dust and dirt from the heater and vent areas.

Plastic

- Wipe gently with a slightly damp cloth and a mild solution of dish soap and warm water.
- NEVER use abrasive cleaners, liquid sprays or any cleaner that could scratch the surface.

CAUTION: sharp edges

1. After installation, the power plug should be accessible.
2. If the power cord is damaged. It must be replaced by the manufacturer or its service agent or a similarly qualified person to avoid a hazard.
3. The heater must not be located immediately below a socket.
4. The appliance is not intended for use by young children or infirm persons. Young children should be supervised to ensure that they do not play with the appliance.
5. Do not use this heater in the immediate surroundings of a bath, a shower or a swimming pool.
6. To avoid overheating, do not cover the heater.

Model: Ghiffa series

Power supply: 220-240V-50Hz

Protection class: I

Light bulb: LED

LIMITED WARRANTY

This warrants to the original purchaser that this product is free from defects in material and workmanship as of the date of purchase and that it will, under normal use and proper care, remain so for two years from the date of purchase. Missing or initially defective parts will be replaced free of charge during the period of this limited warranty. If parts are unavailable, comparable replacement or refund will be given.

The original dated sales receipt is required for all warranty claims. This warranty does not cover damage which has occurred during transport from the point of purchase to the consumer's home. This warranty does not cover glass, light bulbs, batteries, transportation, labour or other issues not associated with the manufacture of this product.

This product is for residential use only. Any and all commercial use of this products voids all warranties and frees the manufacturer from all liability.

Read and understand all assembly and operating instructions, and all safety information and warnings before use. The following will void this warranty: Damage caused from tampering with, modifying or altering the fireplace insert in any manner; Damage due to incorrect assembly, improper care, misuse or abuse; Damage from being used with the wrong power source, water damage; Damage caused from this insert being used outdoors; Damage caused from this insert being used for excessive periods of time; Damage caused by the insert being used in a commercial application; Damage from use as a primary heat source; Other misuse or abuse not specifically listed herein.

This product is not intended to be used as a primary heat source. It is for supplemental heating purposes only.

Thank you for purchasing this product. If you have questions about assembly or operation of this product, please email us at:

info@comfortableathome.nl

